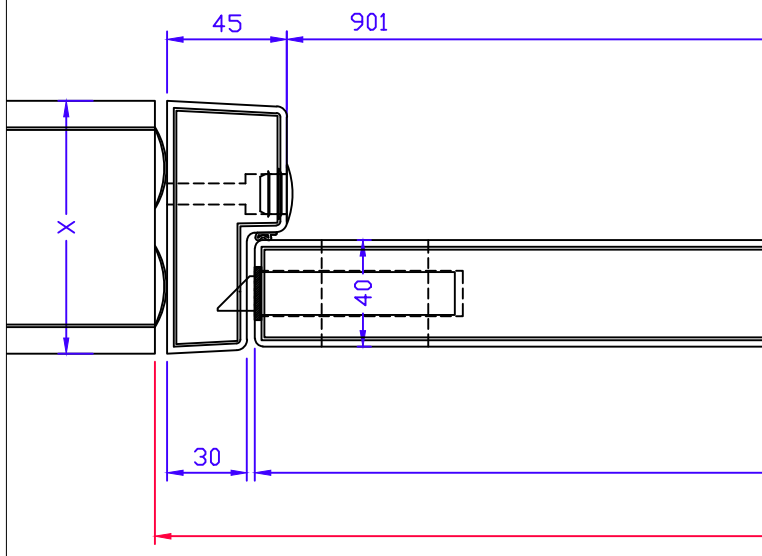
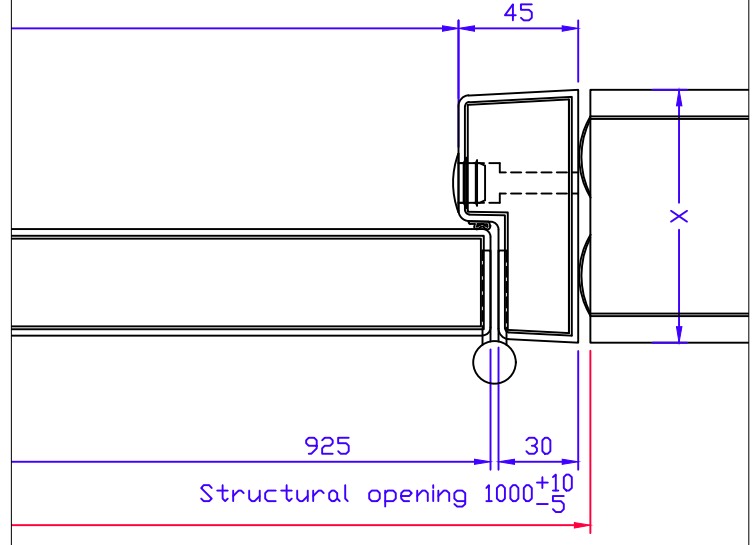


RTG/KMS 10



The lead lining of the wall to be continued to the back of the frame



RTG/KMS 14 P

