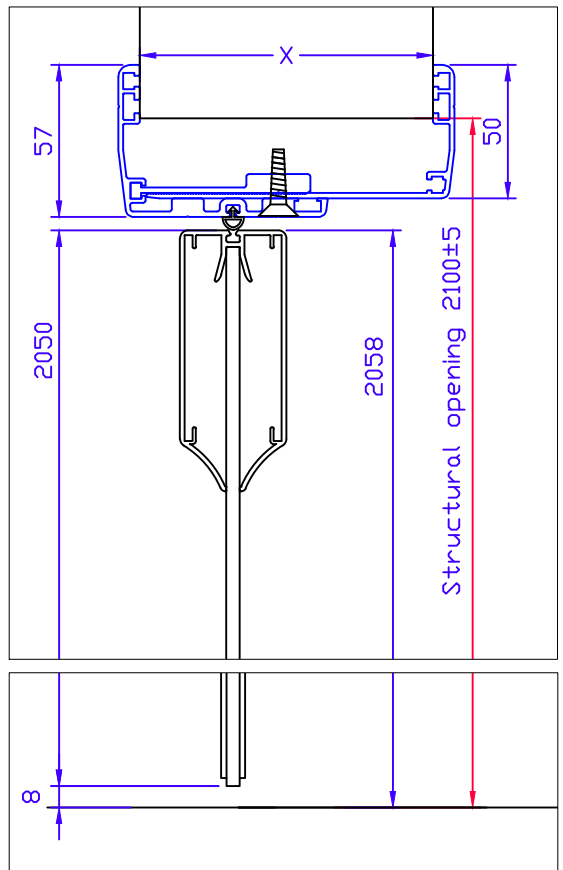
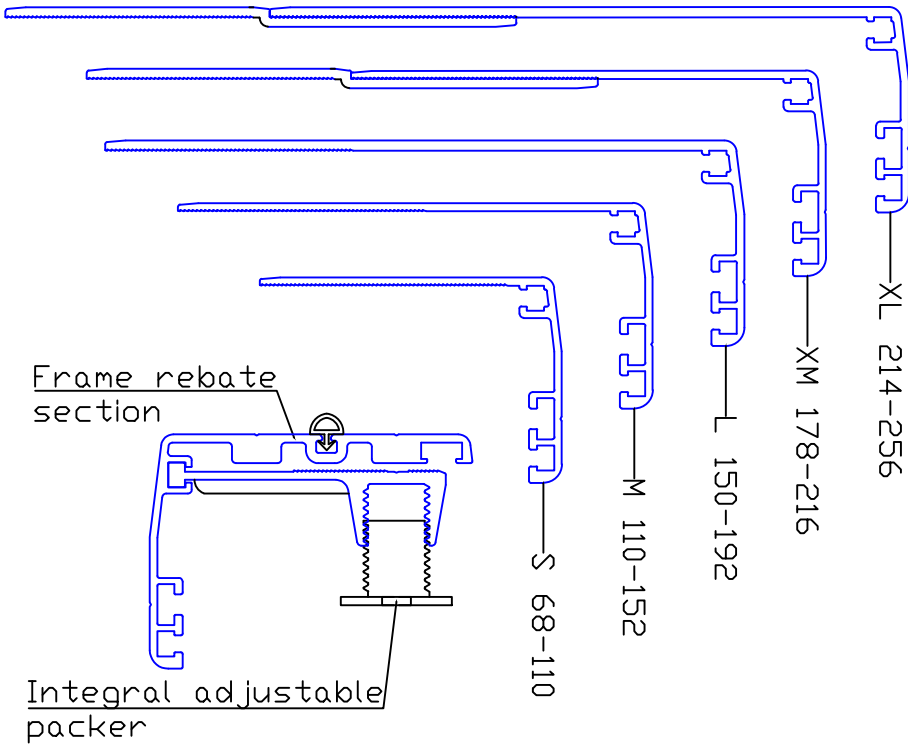
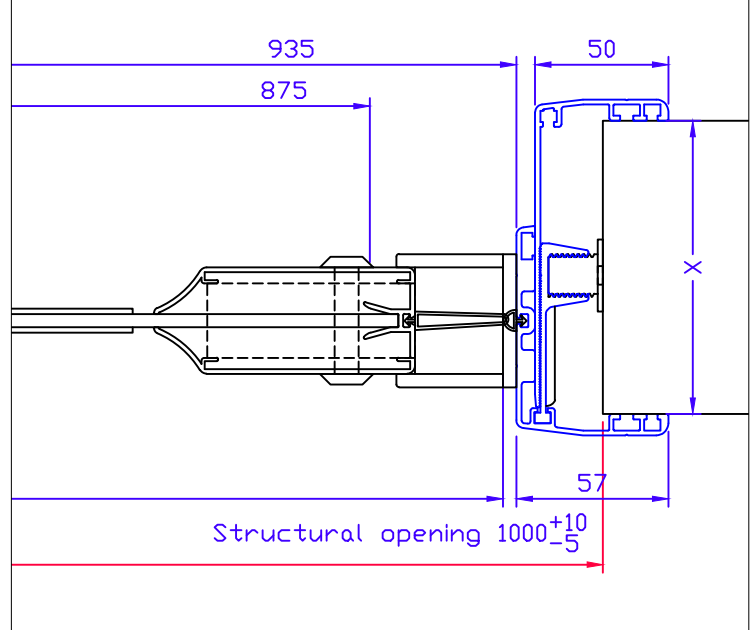
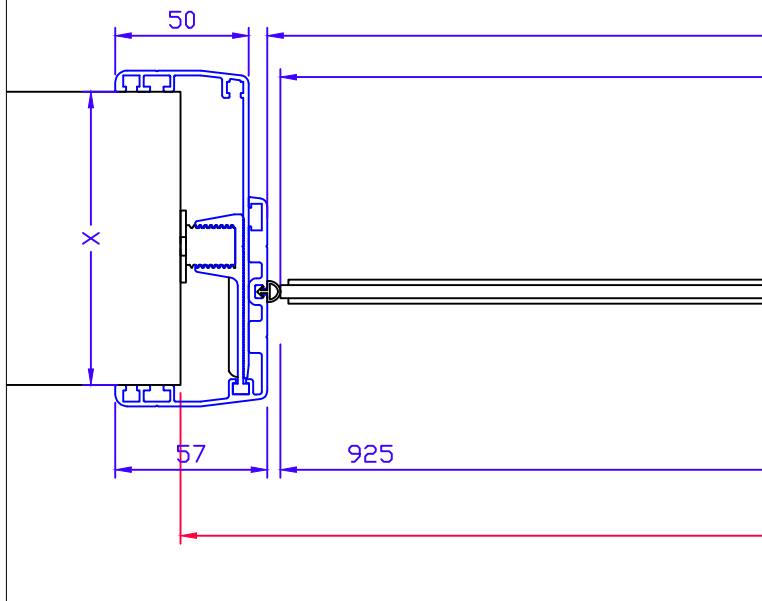


Frame adjusting sections for different wall thicknesses



PK 10



PK 14 P

